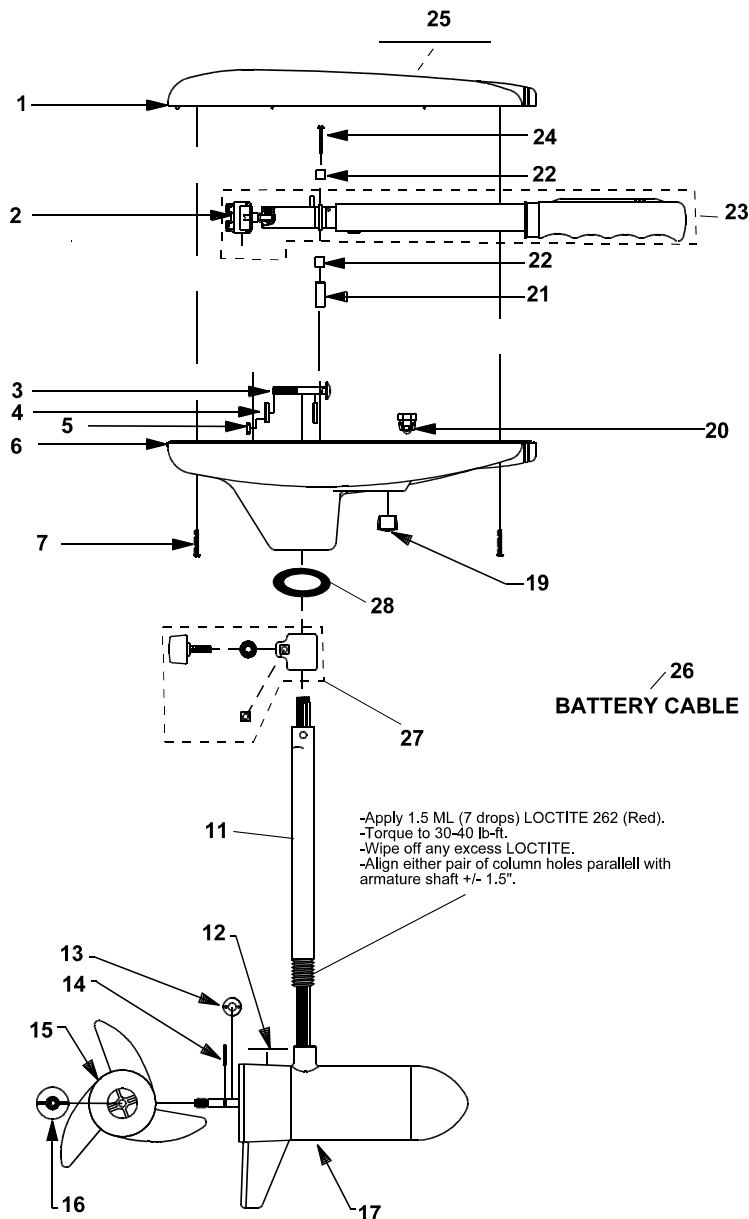


MotorGuide® REPAIR PARTS

Model:
HVT4400



SPECIFICATIONS:

Year of Intro	2000
Thrust	44LBS
Volts	12VDC
Amp Draw	0 to 48 amps
Mount	03 Transom
Speeds	5/2

PARTS ORDERING & TECH ASSISTANCE

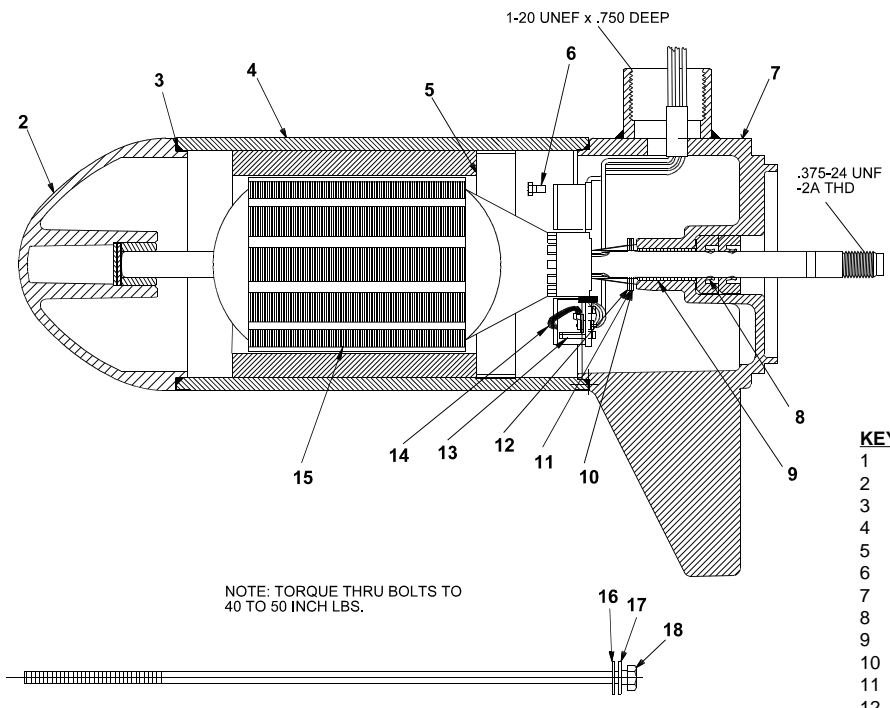
MotorGuide Consumer Relations
Phone 918-831-6989
Fax 800-982-8093

Returned Goods must be accompanied with a Returned Goods Authorization. Contact MotorGuide Consumer Relations to obtain RGA.

KEY	DESCRIPTION	PART #	KEY	DESCRIPTION	PART #
1	COVER BLACK	AT053-10	28	COLUMN SEAL	AT079-01
2	ROTARY SWITCH	KT150-02			
3	BOLT	TT134-01			
4	CURVED WASHER	TT171-04			
5	NYLON LOCK NUT	XT098-02			
6	T/H BASE BLACK	AR004-14			
7	SCREW #8 X 1"	LF141-04			
8	BAR KNOB	AR082-02			
9	CLAMP WASHER	AR171-01			
10	SUPPORT NUT	FR098-01			
11	42" .095 SS H/O COLUMN	FR049-15			
12	MARINE LOWER UNIT DECAL	AF060-04			
13	MONOFILAMENT WASHER	AR175-01			
14	PROP DRIVE PIN	BR102-01			
15	PROP/ 3 BLADE	AF124-10			
16	PROP NUT	AR099-01			
17	MOTOR	ET397-01			
18	DEPTH ADJUSTMENT COLLAR	AR051-01			
19	1/2" HOLE PLUG	FP021-03			
20	GROMMET	GR019-03			
21	WIRE BRACKET	AT155-04			
22	RETAINER CLAMP	AR036-01			
23	5 SPEED HANDLE ASY 96-97	BT372-06			
24	8 X 1-3/8 SCREW	AR133-01			
25	NOMENCLATURE				
26	BATTERY CABLE	TT328-03			
27	DEPTH COLLAR ASY	AR158-01			

LOWER UNIT BREAKDOWN

Model:
HVT4400



KEY	QTY	DESCRIPTION	PART NO.
1	X	MOTOR	ET397-01
2	1	NOSE CAP	JF3212-01
3	2	O RING SEAL	MR217-01
4	1	HOUSING ASY	ET3210-01
5	1	RETAINER	JF233-01
6	2	BRUSH CARD SCREW	MR228-01
7	1	COMM CAP	ET3205-01
8	2	SHAFT SEAL	MR223-01
9	1	BEARING	MR206-01
10	1	NYLATRON WASHER	MR226-01
11	1	WASHER	MR227-01
12	1	E RING	MR219-01
13	2	BRUSH SPRINGS	MR214-02
14	1	BRUSH ASY LESS SPRING	DF3201-01
15	1	ARMATURE	KF3207-01
16	4	STATIC SEAL	MR222-01
17	4	THRU BOLT WASHER	MR216-01
18	2	THRU BOLT	MR218-01

WIRING

